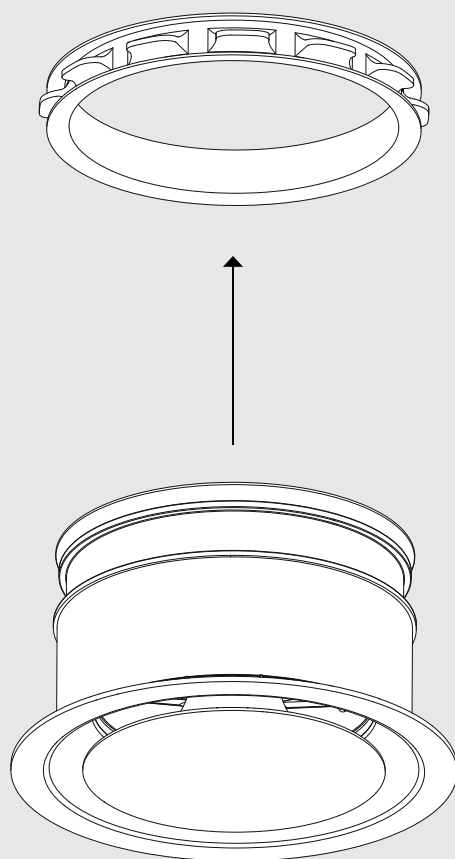


mounting collar for pradovent trim Ø100


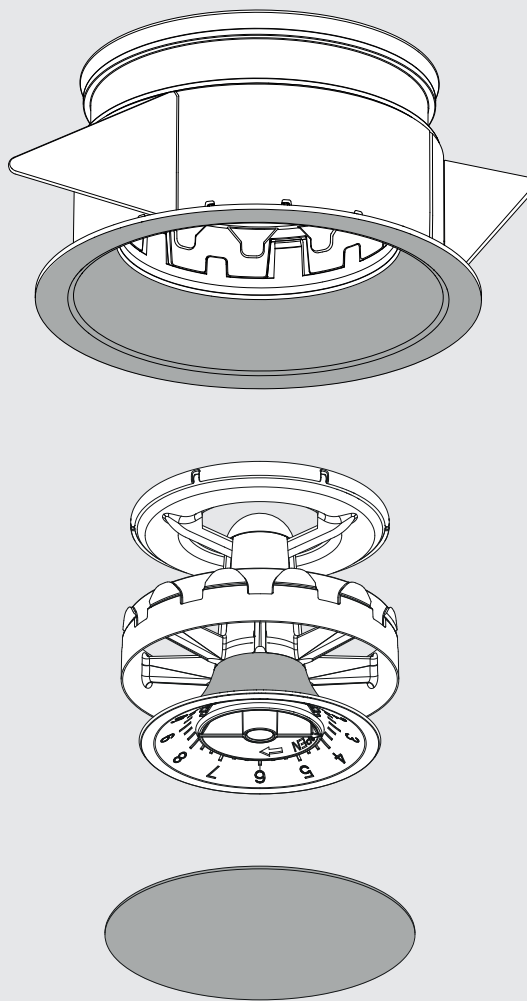
installation instruction

1



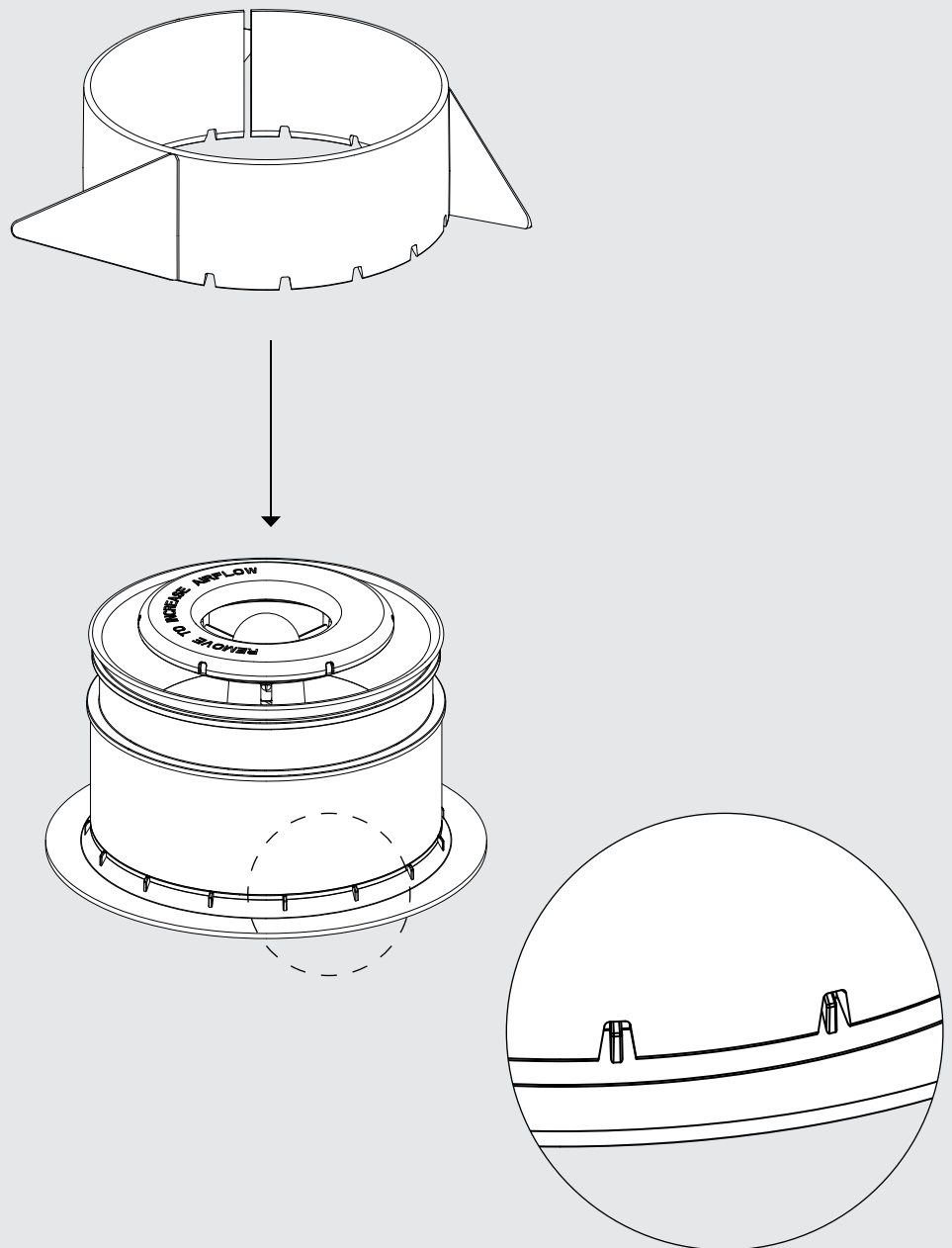
Remove the rubber part from the pradovent trim Ø100.

2

 paintable with synthetic primer

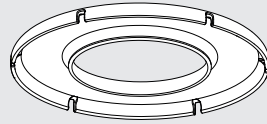
If desired the front parts can be painted with a synthetic primer.

3



Slide the mounting collar on top of the pradovent. Make sure that the cutouts of the mounting collar match the teeth of the pradovent.

4

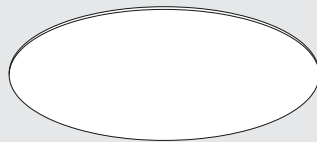
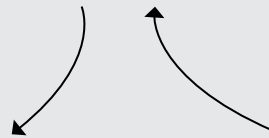
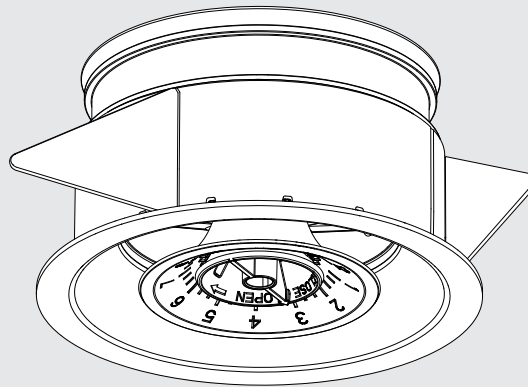


If 50m³/h is required

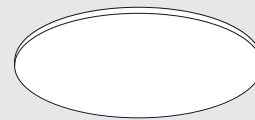
Remove the clip-on ring and use the small cover

If 25m³/h is required

Do not remove the clip-on ring and use the big cover

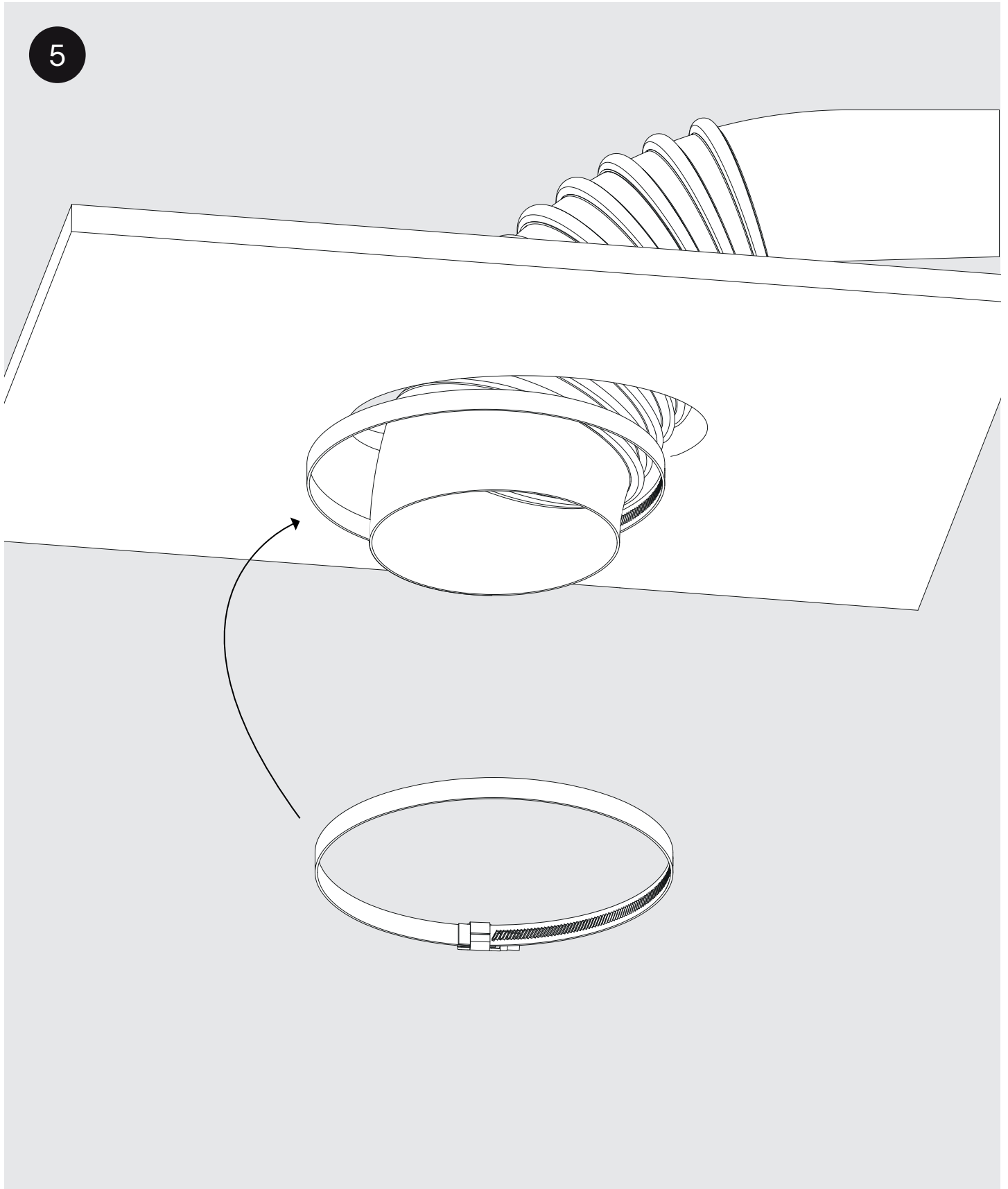


If 25m³/h is required
Use the big cover plate

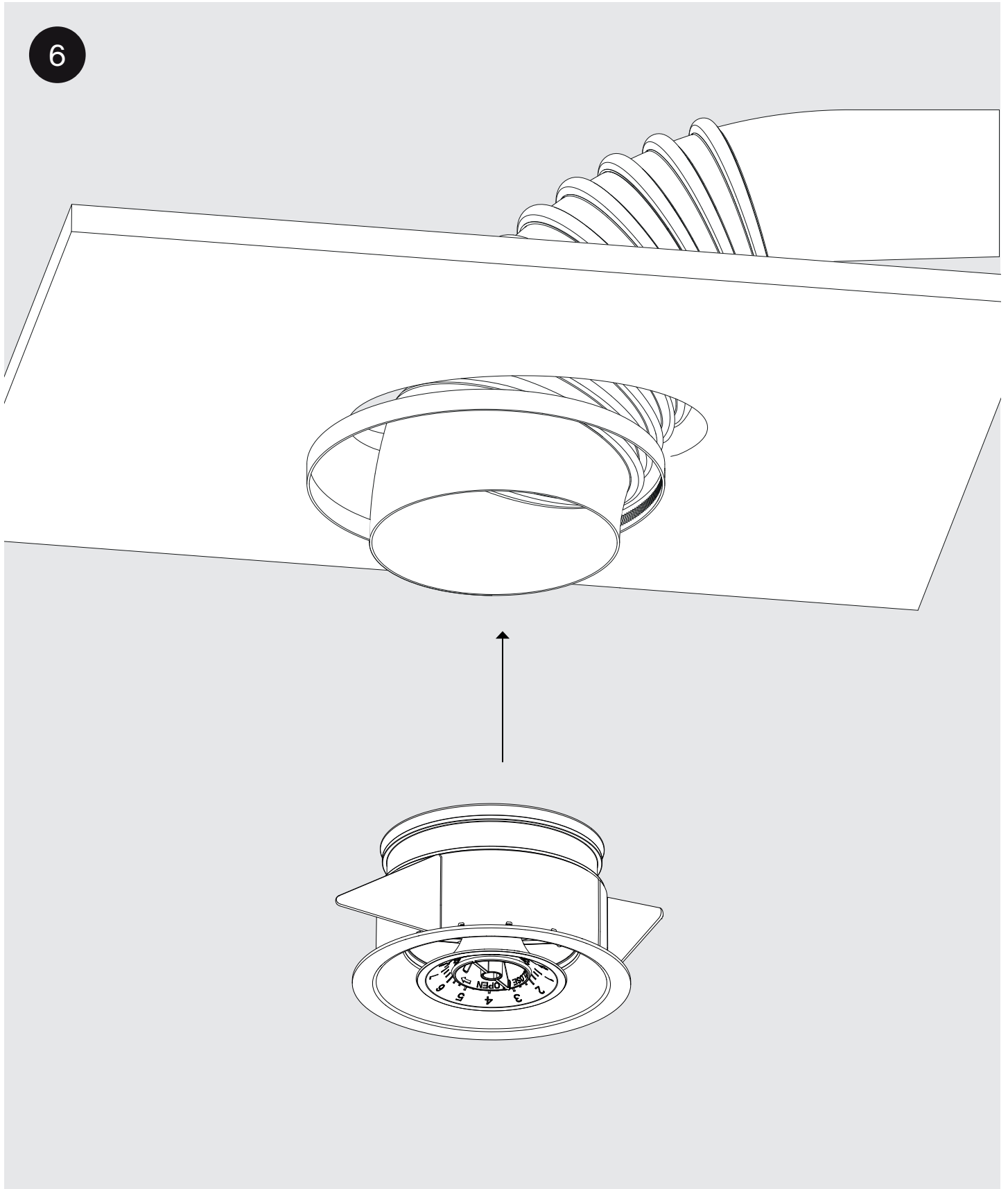


If 50m³/h is required
Use the small cover plate

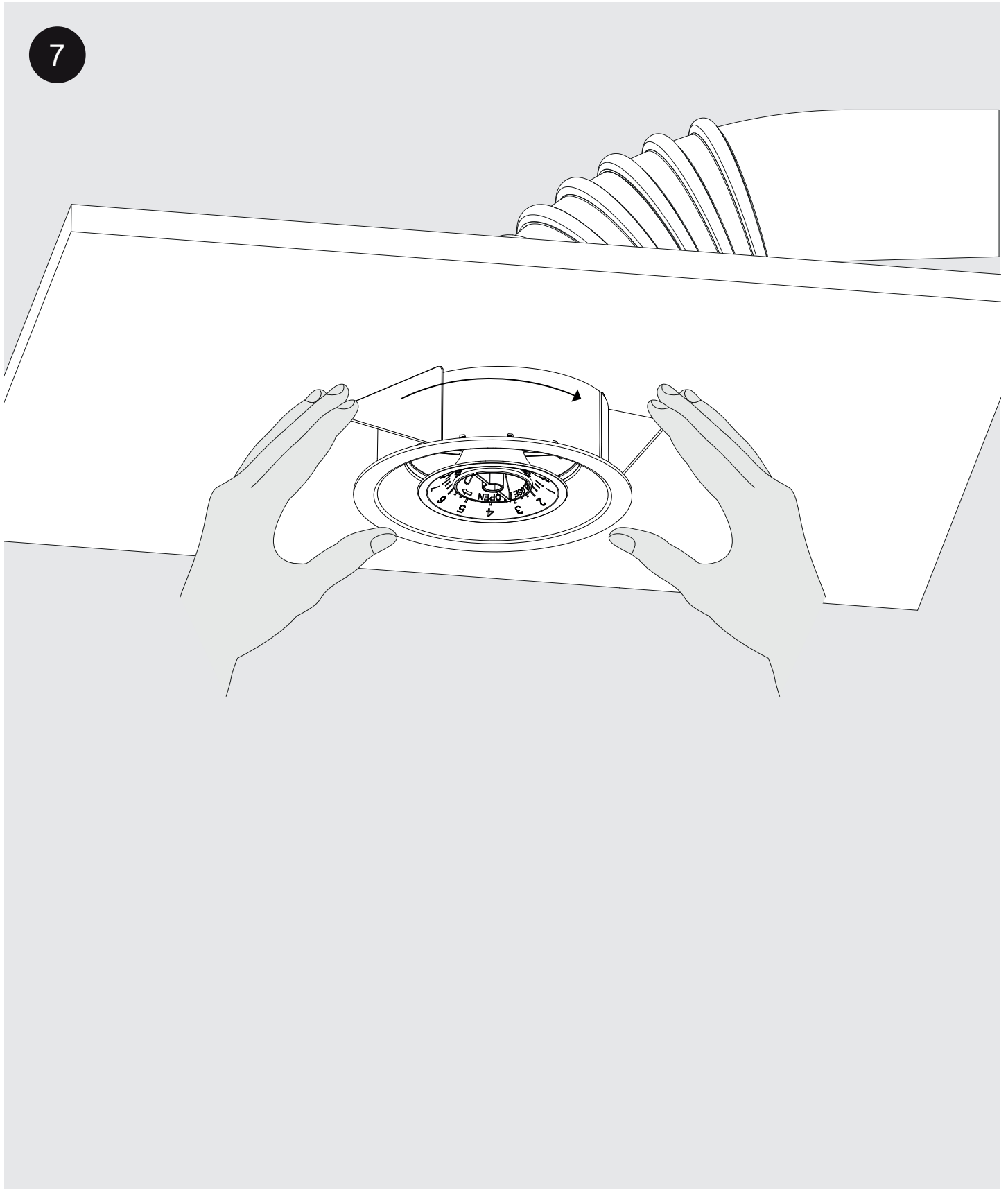
Remove the clip-on ring if necessary.



Provide a hose clamp and slide it over the flexible tube.

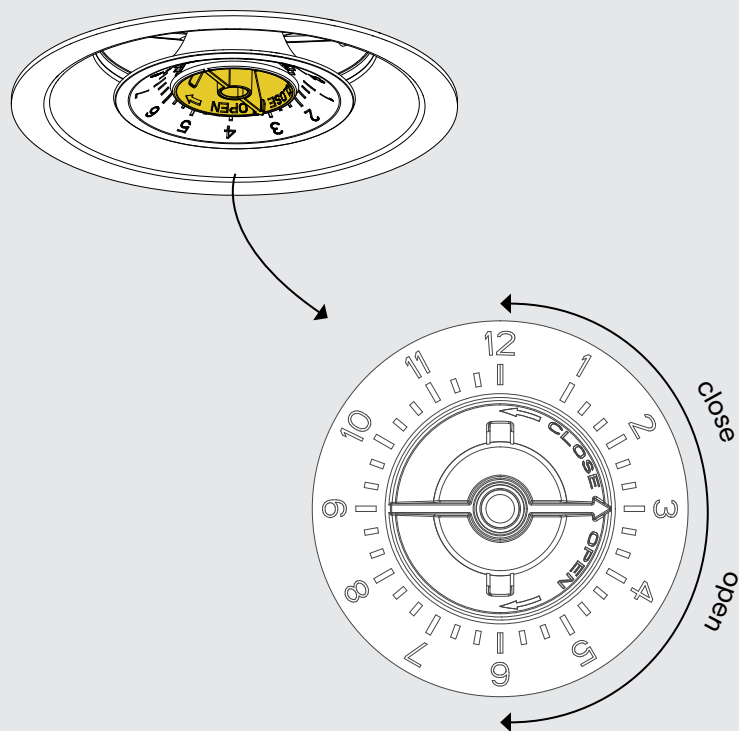


Now push the pradovent with mounting collar into the flexible tube and tighten the hose clamp.



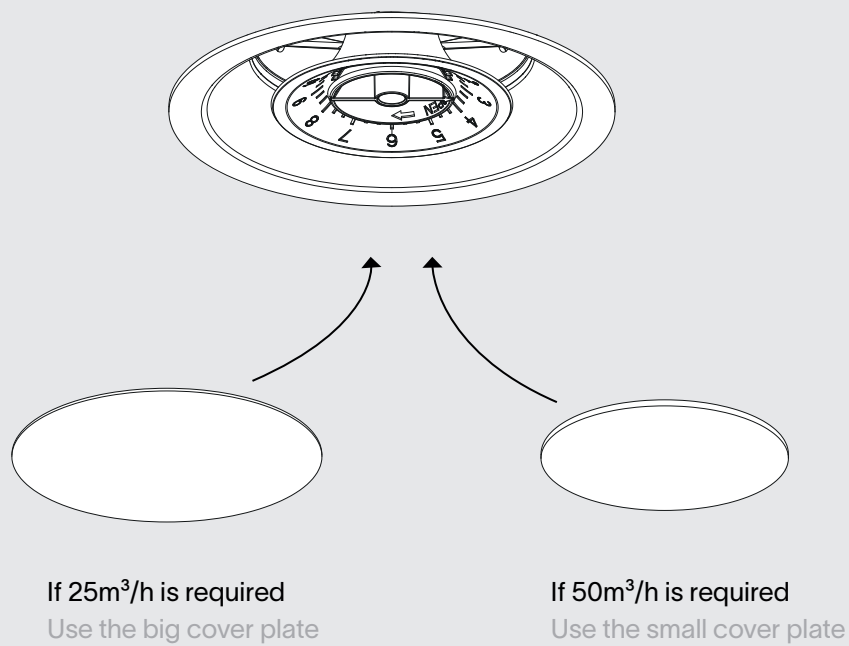
Push the valve into the ceiling opening while twisting it clockwise.

8



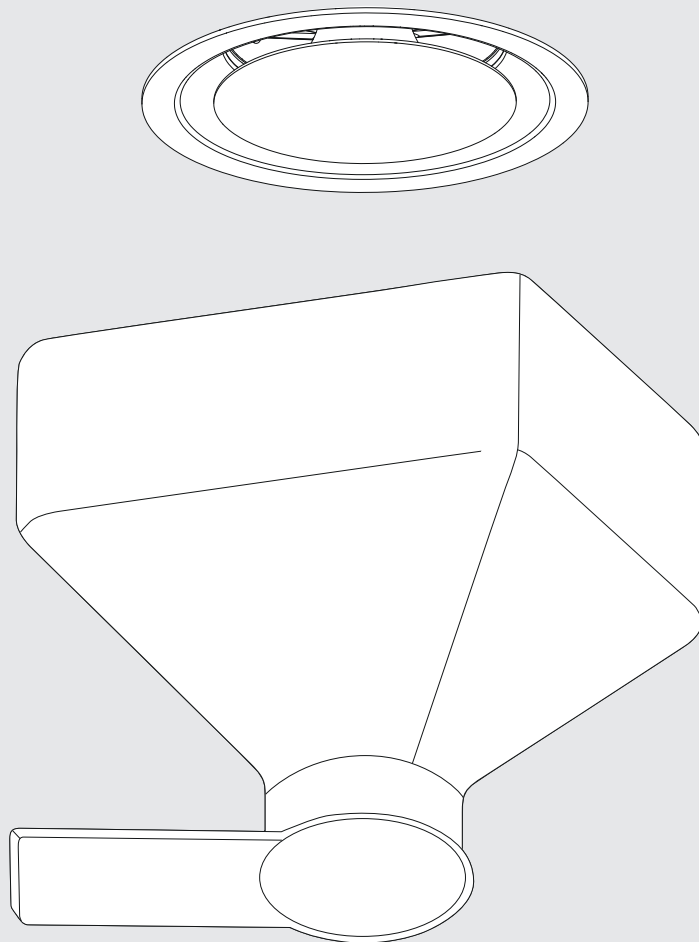
Twist the center of the valve to adjust the ventilation flow level.

9



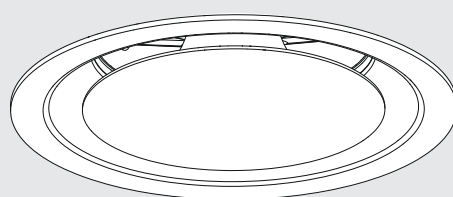
Reinstall the cover plate.

10



Measure the ventilation flow with the cover plate on the valve and repeat step 8-10 until the desired flow is reached.

11



Maintenance: clean and replace the filters of your ventilation system regularly to keep your ceiling clean.

thank you for choosing prado

prado.com

Installation must be done by skilled professionals only and instructions must be followed at all times. Warranty will not apply in case of wrongful use or if unskilled personnel attempts to repair a product.